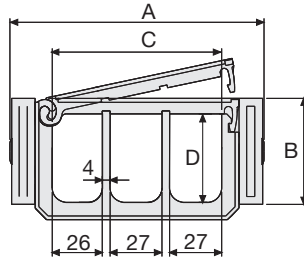


Serie Robot

SR510TN-SR515TN Circular Nylon Cable Chain with openable frames

Inner height (D) 46 mm

Double share Sideband & Frame construction with large anti-friction twin-pin.
Frames openable from inner radius.



Pin SR510TN

Part.no PG511

Pin SR515TN

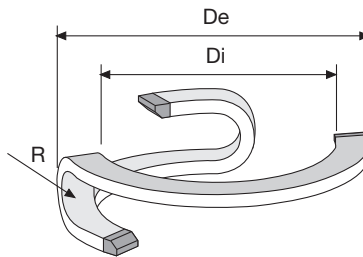
Part.no PG515-B515

Technical characteristics

| | |
|--------------|---------------------|
| Speed | 180°/s |
| Acceleration | 180°/s ² |

For higher requirements please consult our technical dept.

| A | B | C | D | R | Weight/pitch | Chain |
|-----|----|----|----|-----|--------------|-------------|
| mm | mm | mm | mm | mm | kg | Part Number |
| 132 | 55 | 88 | 46 | 125 | 0,200 | SR510TN |
| 132 | 55 | 88 | 46 | 175 | 0,200 | SR515TN |



| Chain Part Number | R mm | Di mm | De mm |
|-------------------|------|-------|-------|
| SR510TN | 125 | 940 | 1220 |
| SR515TN | 175 | 1060 | 1340 |

Length of Chain

| Chain Part Numbers | Degrees of Rotation | No of Pitches |
|--------------------|---------------------|---------------|
| SR510TN | 90 | 13 |
| SR510TN | 180 | 17 |
| SR510TN | 270 | 22 |
| SR510TN | 360 | 27 |
| SR515TN | 90 | 13 |
| SR515TN | 180 | 23 |
| SR515TN | 270 | 29 |
| SR515TN | 360 | 35 |



SR515TN

SR510TN

Steel End Brackets

The end brackets set, containing two steel plates screwed to the links, allows the two ends of the chain to be attached to the equipment. The end brackets are installed in one position offering the possibility of attaching the chain externally. (Fig. A)

SR510TN

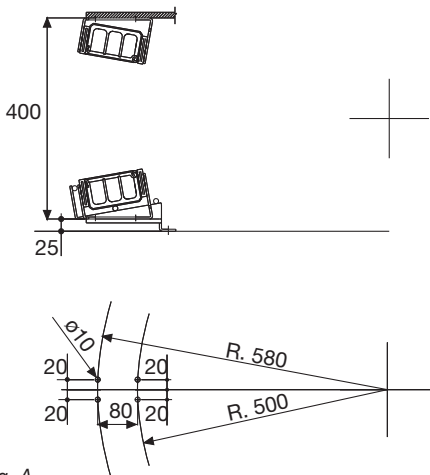


Fig. A

SR515TN

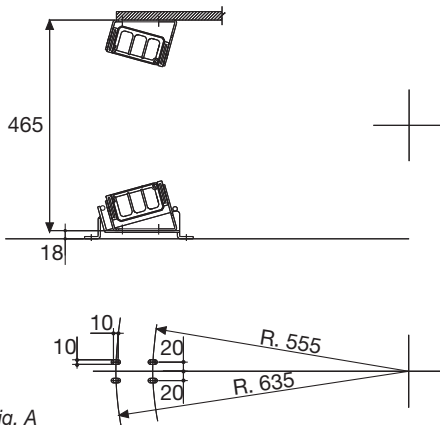


Fig. A

Support Guide

For correct functioning of the chain it is necessary that the installation is done in a specific position.

For this reason Brevetti Stendalto has observed and created a support guide which can do this. (Fig. B)

For particular applications it is possible to create support guides with attachment plates and special dimensions.

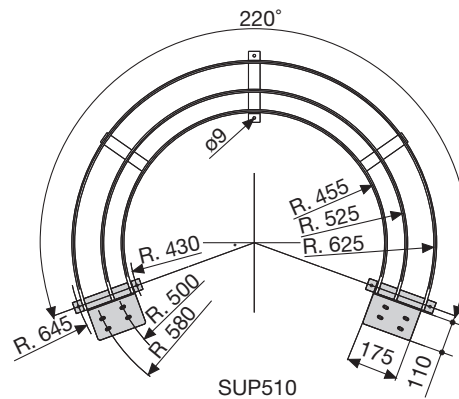


Fig. B

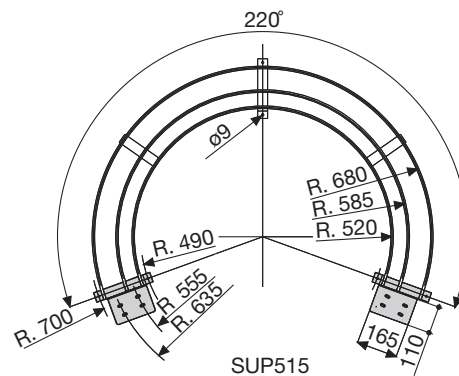


Fig. B

Steel End Brackets Part Numbers

Complete Set Assembled

| Chain Type | End Brackets Set |
|------------|------------------|
| SR510TN | A510TNKM |
| SR515TN | A515TNKM |

Complete Set Unassembled

| Chain Type | End Brackets Set |
|------------|------------------|
| SR510TN | A510TNK |
| SR515TN | A515TNK |

For applications with rotations exceeding 200° it is necessary to use the appropriate accessories for supporting the cable chain. (see page 28).

Serie Robot

SR510TN

SR515TN

Circular Nylon Cable Chain with openable frames